

System Overview

HC8 is an advanced and powerful modular multisensor system designed for mid-long range security applications. It allows long range observation and detection using the most advanced thermal and day/night sensors and optics.

The multisensor system is boosted with cooled/MWIR, uncooled/LWIR, short wave/SWIR and day night high performance sensors.

Designed and constructed to withstand the harshest weather and environments, including cameras and P/T coolers and heaters.

A wide range of sensors and configuration options are available.



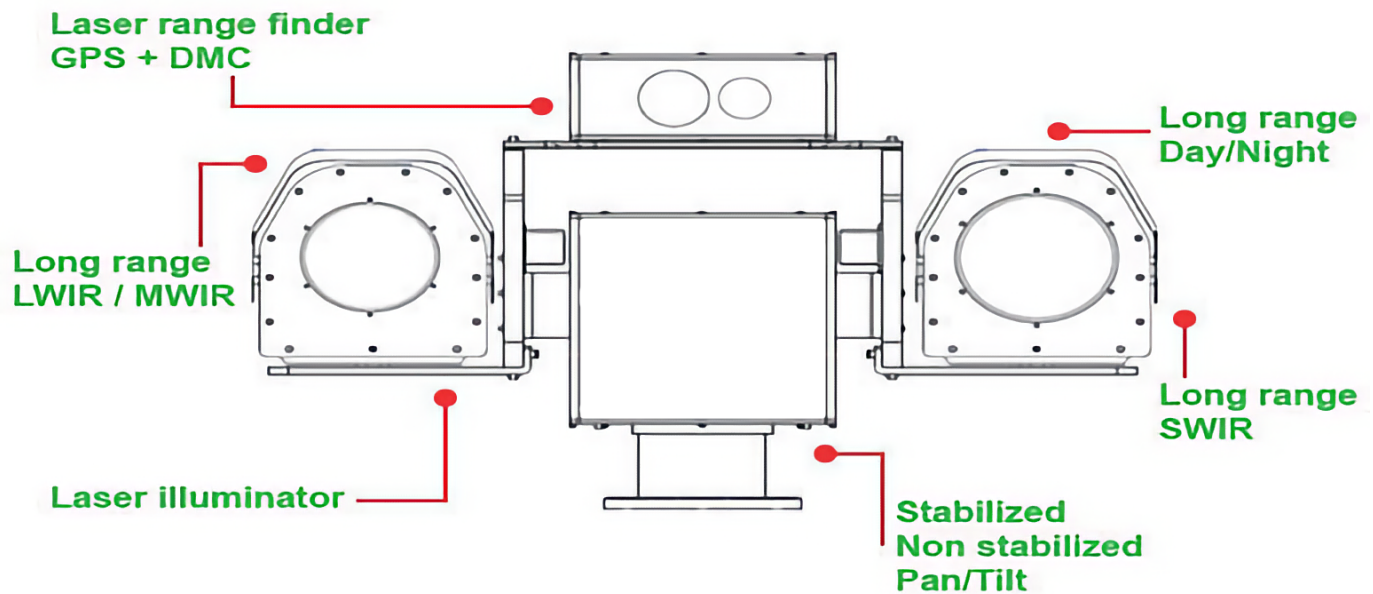
MWIR SENSORS	LWIR SENSORS	SWIR SENSORS	DAY/NIGHT SENSORS
1920x1080/2 megapixel 2064x1544/3 megapixel 3840x2160/8 megapixel	384x288/12µm. 640x512/12µm. 1280x1024/12µm.	640x512/5µm.	1920x1080/2 megapixel 2064x1544/3 megapixel 3840x2160/8 megapixel
High performance Long / Mid range distance High performance night vision Cost effective	High performance Long / Mid range Cost effective	High performance Long / Mid range	High performance Long / Mid range Cost effective



System Overview

LWIR			
35mm. 50mm. 75mm. 100mm.	20-75mm. 25-100mm. 30-150mm. 25-225mm.	640x512/1280x1024 12µm. pixel / 30fps. <35mK. NETD Athermal/zoom	Standard analytics / Advanced AI analytics Fire detection HDSOI optional Onvif/Profile S/Ethernet Digital video stabilization Autofocus HDSOI optional
MWIR			
18-275mm. f.5,5 18-430mm. f.5,5 30-600mm. f.5,5 45-1200mm. f.5,5	15-300mm. f.4 21-420mm. f.4 35-690mm. f.4 50-1000mm. f.4	640x512/1280x720 15µm. pixel / 30fps. <25mK. NETD Zoom	Advanced AI analytics Turbulence mitigation Onvif/Profile S/Ethernet Digital video stabilization One-push Autofocus HDSOI optional
SWIR			
16,5-500mm.* <small>* 3X higher performance than standard 15µm. pixel sensors.</small>		640x512/1280x1024 5µm. pixel / 30fps. Zoom lenses	Standard analytics / Advanced AI analytics Onvif/Profile S/Ethernet Digital video stabilization AutofocusHDSOI optional
DAY/NIGHT			
15-1200mm. 11-1000mm. 10,5-920mm. 10-850mm. OIS 6-540mm.	6,3-365mm. OIS 6-300mm. 6-210mm.	1920x1080/3840x2160 3µm. pixel Up to 0,001 Lux Zoom/Autofocus Global shutter	Standard analytics / Advanced AI analytics Optical video stabilization / Digital video stabilization Onvif/Profile S/Ethernet Turbulence mitigation Near Infrared video / Opti

System Overview



System Compatible Options

LASER ILLUMINATORS	GROUND / MARINE RADARS	
<ul style="list-style-type: none"> • 1Km. • 2Km. • 3Km. • 5Km. 	Directional / Omnidirectional X and Ku band Ground / Marine Multiple target detection	Multi tracker Drone detection Drone jamming integration Artificial Intellenge and object classification
LASER RANGE FINDER	COMMAND AND CONTROL	
<ul style="list-style-type: none"> • 4Km. NATO • 6Km. NATO • 10Km. NATO • 15Km. NATO 	Multiple task control Multilayer information PSIM function Tracking display	Advanced AI analytics

LASER POINTER		ADVANCED ANALYTICS / TRACKER	
<ul style="list-style-type: none"> • 100mj. • 200mj. • 400mj. 		AI self learning engine Object classification and learning motor People / object detection Detection areas	Video tracker Fire detection
GNSS / DMC			
<ul style="list-style-type: none"> • GPS L1 • Galileo • Glonass 		<ul style="list-style-type: none"> • DMC accuracy 1°(RMS) • DMC resolution - pitch/roll 0,1° 	

HEAVY DUTY PAN/TILT

T" type pan/tilt unit
 25Kg. + 25Kg. max. payload
 Azimuth 360° continuous
 Elevation +90/-90°*
 Max./Min azimuth speed 0,001-100°/-sec.*
 Max./Min elevation speed 0,001-60°/-sec.*
 Waterproof IP66
 High performance encoders, optional
 Military connectors
 Giga Ethernet

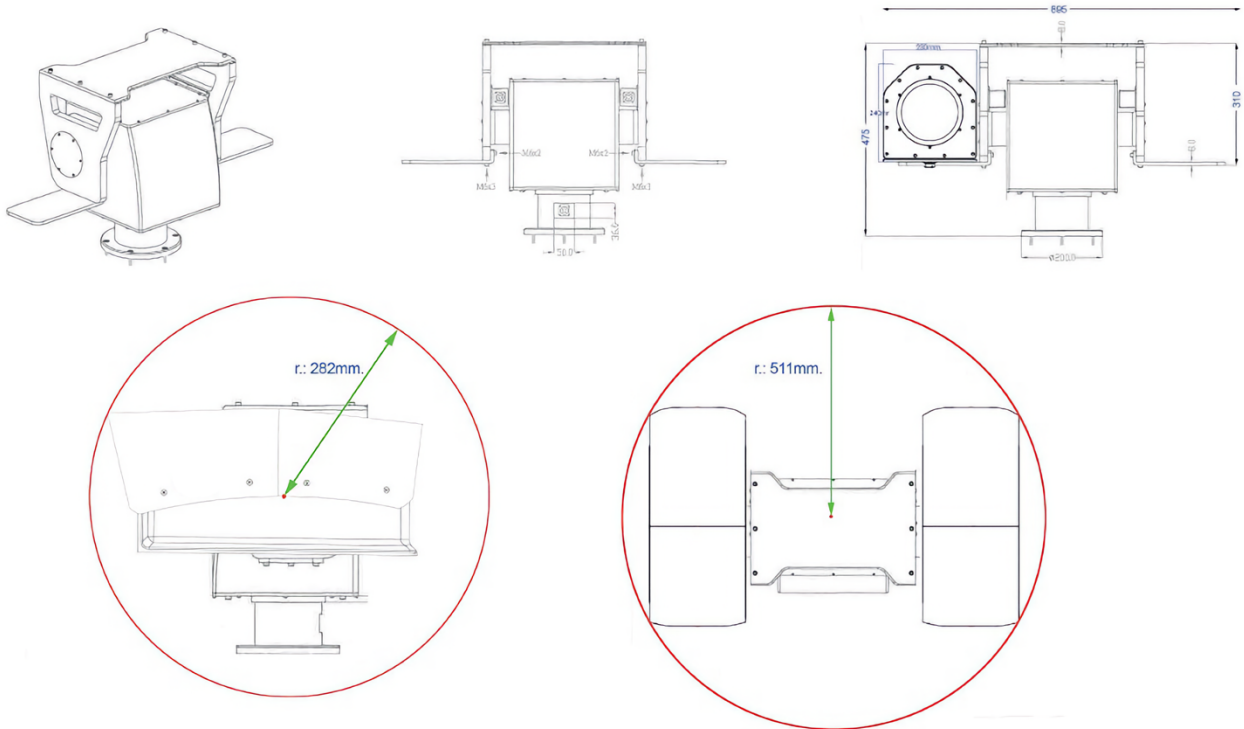
*Depending on the payload weight the speed shall be adjusted

SYSTEM TECHNICAL FIGURES / INCLUDED

Electric: 48v.DC/9A. (110-220v.AC Industrial grade power supply included)
 System weight without cameras: 48Kg.
 System cable connections: 12m. connection cable, waterproof/UV light ready
 Payload cable connections, waterproof/UV light ready
 All military connectors
 Pan/Tilt payload wings and fixation screws
 Matting connectors: MS3116F16-26S FEM / MS3114E16-26P MALE
 PT system main connection cables: Ethernet LAN + RS485



KOLO HC8 Series System Dimensions



- * Different weather conditions and temperature changes may affect to final distances, the stated distances are references.
- * GE window, LFR, GPS, DMC and laser are optional and only applicable to selected models.
- * Infrared CVBS video available only for 640x512, for 1280x1024 HDSDI available, analog video for day/night cameras not available.
- * Pan/tilt speed shall be adjusted depending the payload weight.
- * AIKOLO LLC reserves the right to change products or specifications without notice.
- * AIKOLO LLC brand and logo are registered trade marks..