

KOLO HC7 Series Long-Range Day/Night Cameras



System Overview

HC7 is an advanced and powerful modular multisensor system designed for mid-long range security applications. It allows long range observation and detection using the most advanced day/night sensors and optics.

The multisensor system is boosted with powerful high definition and best performance day night sensors supported with long range laser illuminators.

Designed and constructed to withstand the harshest weather and environments, including cameras and P/T coolers and heaters.

A wide range of sensors and configuration options are available

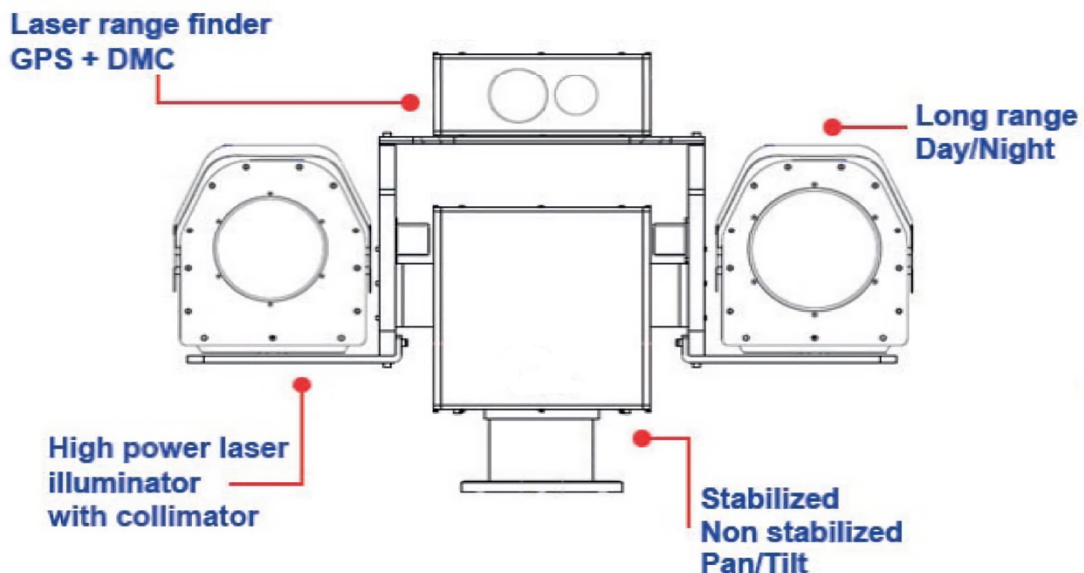


| DAY/NIGHT SENSORS | |
|---|--|
| 1920x1080/2 megapixel 2064x1544/3 megapixel 3840x2160/8 megapixel | High performance Long / Mid range distance High performance night vision Cost effective |

| DAY/NIGHT | |
|--|---|
| 1920x1080/3840x2160 3µm. pixel Up to 0,001 Lux Zoom/Autofocus PT system main connection cables: Ethernet LAN + RS485 | Standard analytics / Advanced AI analytics Optical video stabilization / Digital video stabilization Onvif/Profile S/Ethernet Turbulence mitigation Near Infrared video / Optical defogging |

System Overview

| FOCAL LENGTH | RESOLUTION | HFOV | STABILIZATION | DEFOGGING | TURBULENCE | NIR | DETECTION | OBSERVATION | RECOGNITION | IDENTIFICATION |
|--------------|------------|------|---------------|-----------|------------|-----|-----------|-------------|-------------|----------------|
| 6-210mm | 2mp. | 1,9° | EIS | Optical | No | No | 2.315m. | 918m. | 463m. | 231m. |
| 6-300mm. | 2mp. | 1,3° | EIS | Optical | No | No | 3.384m. | 1.343m. | 677m. | 338m. |
| 6,3-365mm. | 2mp. | 1,2° | OIS+EIS | Optical | No | No | 3.666m. | 1.455m. | 733m. | 366m. |
| 6-540mm. | 2mp. | 0,8° | EIS | Optical | No | Yes | 4.889m. | 1.940m. | 977m. | 488m. |
| 15-850mm. | 2mp. | 0,5° | OIS+EIS | Optical | Yes | Yes | 11.000m. | 4.365m. | 2.200m. | 1.100m. |
| 15-860mm. | 2mp. | 0,5° | EIS | Optical | Yes | Yes | 14.667m. | 5.820m. | 2.933m. | 1.466m. |
| 10,5-920mm. | 4mp. | 0,4° | EIS | Optical | Yes | Yes | 15,401m. | 6.111m. | 3.080m. | 1.540m. |
| 15-1200mm. | 2mp. | 0,2° | EIS | Optical | Yes | Yes | 22.001m. | 8.730m. | 4.400m. | 2.200m. |
| 6-300mm. | 8mp. | 1,4° | EIS | Optical | No | Yes | 6.285m. | 2.494m. | 1.257m. | 628m. |
| 11-1000mm. | 8mp. | 0,4° | EIS | Optical | Yes | Yes | 22.000 | 7.937m. | 4.000m. | 2.000m. |





System Compatible Options

| LASER ILUMINATORS | | GROUND / MARINE RADARS | |
|--|--|---|---|
| <ul style="list-style-type: none"> • 1Km. • 2Km. • 3Km. • 5Km. | 808nm. wavelength Over 5Km. distance Fiber Coupling Edge Emitting Laser (EEL) -35°C. cold start 100mm. collimator | Directional / Omnidirectional X and Ku band Ground / Marine Multiple target detection | Multi tracker Drone detection Drone jamming integration Artificial Intellenge and object classification |
| LASER RANGE FINDER | | COMMAND AND CONTROL | |
| <ul style="list-style-type: none"> • 4Km. NATO • 6Km. NATO • 10Km. NATO • 15Km. NATO | | Multiple task control Multilayer information PSIM function Tracking display | Advanced AI analytics |

| LASER POINTER | | ADVANCED ANALYTICS / TRACKER | |
|--|--|---|---------------|
| <ul style="list-style-type: none"> • 100mj. • 200mj. • 400mj. | | AI self learning engine Object classification and learning motor People / object detecion Detection areas | Video tracker |
| GNSS / DMC | | | |
| <ul style="list-style-type: none"> • GPS L1 • Galileo • Glonass | | <ul style="list-style-type: none"> • DMC accuracy 1°(RMS) • DMC resolution - pitch/roll 0,1° | |

HC7 Compatible Options

HEAVY DUTY PAN/TILT

T" type pan/tilt unit
25Kg. + 25Kg. max. payload
Azimuth 360° continuous
Elevation +90/-90°*
Max./Min azimuth speed 0,001-80°/-sec.*
Max./Min elevation speed 0,001-60°/-sec.*
Waterproof IP66
High performance encoders, optional
Military connectors
Giga Ethernet



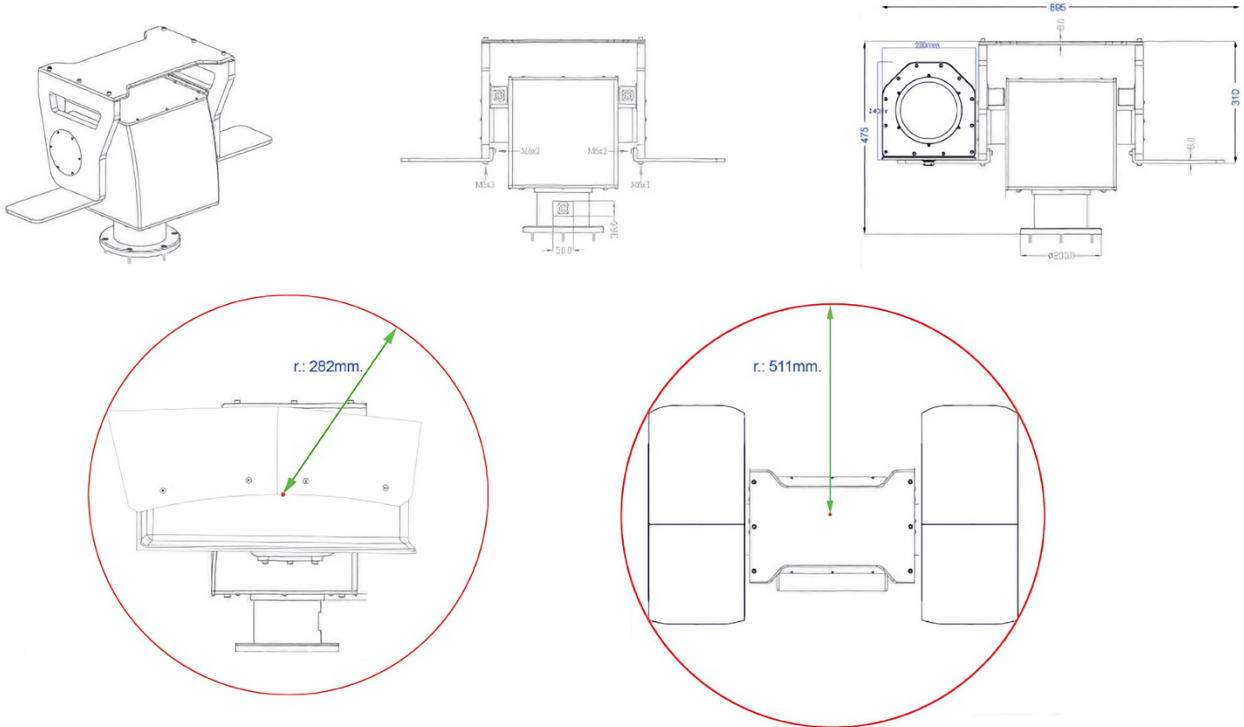
SYSTEM TECHNICAL FIGURES / INCLUDED

Electric: 48v.DC/9A. (110-220v.AC Industrial grade power supply included)
System weight without cameras: 48Kg.
System cable connections: 12m. connection cable, waterproof/UV light ready
Payload cable connections, waterproof/UV light ready
All military connectors
Pan/Tilt payload wings and fixation screws
Matting connectors: MS3116F16-26S FEM / MS3114E16-26P MALE
PT system main connection cables: Ethernet LAN + RS485

Depending in the payload weight the speed shall be adjusted.* Depending in the payload weight the speed shall be adjusted.



HC7 Series System Dimensions



- * Different weather conditions and temperature changes may affect to final distances, the stated distances are references.
- * GE window, LFR, GPS, DMC and laser are optional and only applicable to selected models.
- * Infrared CVBS video available only for 640x512, for 1280x1024 HDSDI available, analog video for day/night cameras not available.
- * Pan/tilt speed shall be adjusted depending the payload weight.
- * AIKOLO LLC reserves the right to change products or specifications without notice.
- * AIKOLO LLC brand and logo are registered trade marks.